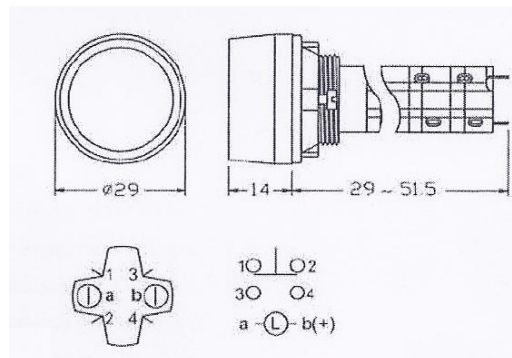




D16LMU Push button



- Illuminated push button
- Available in green and red
- High grade temperature resistant thermoplastic body material
- Contact housing moulded in electrical high grade thermoplastic
- 3mm operation travel
- IP65 protection
- For use with MHPPL and MHPPN plates
- Dimension : L43 x W29



Warranty

The product is warranted against defects in material and workmanship while used in normal service for a period of 1 year from the date of sale to the original client. The Guardall policy is one of continual development and improvement, therefore Guardall reserves the right to change specifications without notice