



DG408KIT Keypad



MAIN FEATURES:

- Power supply: from **11 to 30 V** ac/dc
- Current drain: 4 mA at 12 V.
- 1 relay: resistive load: **10A/30V dc**. It's not allowed to apply to relay's contacts voltages over 30 V dc or 24 V ac. On the contrary, please link an external relay.
- Contact of relay: **permanent** or **impulsive**.
- **"Dead man" function**
- Maximum number of codes: 60
- State memory of the relay.
- **Output for LED on/off**
- **Output for programme mode LED**
- Output for **Tamper alarm** function (30 sec.)
- Possibility to enter program mode directly from keypad.
- Maximum distance between keypad and control-box: 300 mt.

Simplified instruction manual for DIGITEN – MICROTEN keypads use only

- Press and hold down the push-button CLEAR for 6 sec. on the control-box to make a total erasing of the memory. During this time the red LED flashes quickly and, at the end, it flashes slowly. Release the push-button CLEAR.
- Enter the first code that will be the **MASTER code** and wait for 5 sec. Without pressing any other push-button on the keypad. At the end the LED flashes for 1 sec.
- Enter the other codes that must have the same number of digits of the Master code.
- To exit programme mode enter a code already stored.

NOTE:

- Master code does not operate the relay. It is useful only to enter programme mode directly via keypad.
- Master code decides how many digits must have all the other codes. If Master code has 4 digits, all the other codes must be composed by 4 digits.
- If it happens to press a wrong push-button on the keypad, wait for 5 sec. without pressing any other push-button. At the end, the red LED will switch off to indicate it is possible to enter the correct code.
- It is possible to store codes whose length is from 1 to 8 digits maximum.
- Codes that start with more than three zeros are refused (ex.: 000057)

RELAY'S TIME SETTING

Shut down the power supply to the control-box.

Press the push-button **CLEAR** for the duration of **relay's contact**.

Press and hold down CLEAR push-button and, in the same time, give power supply to the controller. Hold down the push-button and count the flashes of the red LED on the control-box, considering that: 1st flash = bistable

2nd flash = **dead man function** (*)

3rd flash = 250 ms (minimum contact duration)

4th flash = 1 second

5th flash = 2 seconds and so on until a **maximum time of 27 seconds**. Release the push button when the desired duration is gained.

(*) Dead man function = the relay stays attracted as long as the last digit of the code is pressed.

STORING ADDITIONAL CODES

In any time is always possible to add other codes into the memory of the control-box via Master code, directly from the keypad.

- Enter Master code: the relay does not operate, the red LED flashes and the control-box enter in programme mode.
- Enter the new codes you want to store with the same number of digits of the Master code.
- To exit programme mode enter a code already stored.

ADDRESSED CODES ERASING

In any time it is always possible to erase a code from the memory of the control-box, via Master code directly from the keypad.

- Enter Master code: the relay does not operate, the red LED flashes and the control-box enter in programme mode.

- Enter five zeros followed by the number the corresponds to the location's code in the memory.

For example if the code you want to erase is 1234 and it is the 4th code you have stored, operate as follow: enter Master code, then enter 000004.

- Wait for 5 sec. without pressing any other push-button on the keypad. After that short time the red LED flashes quickly and then flashes slowly.

- It is possible to store a new code with same digits of the Master code, in the empty location of the code you have just erased.

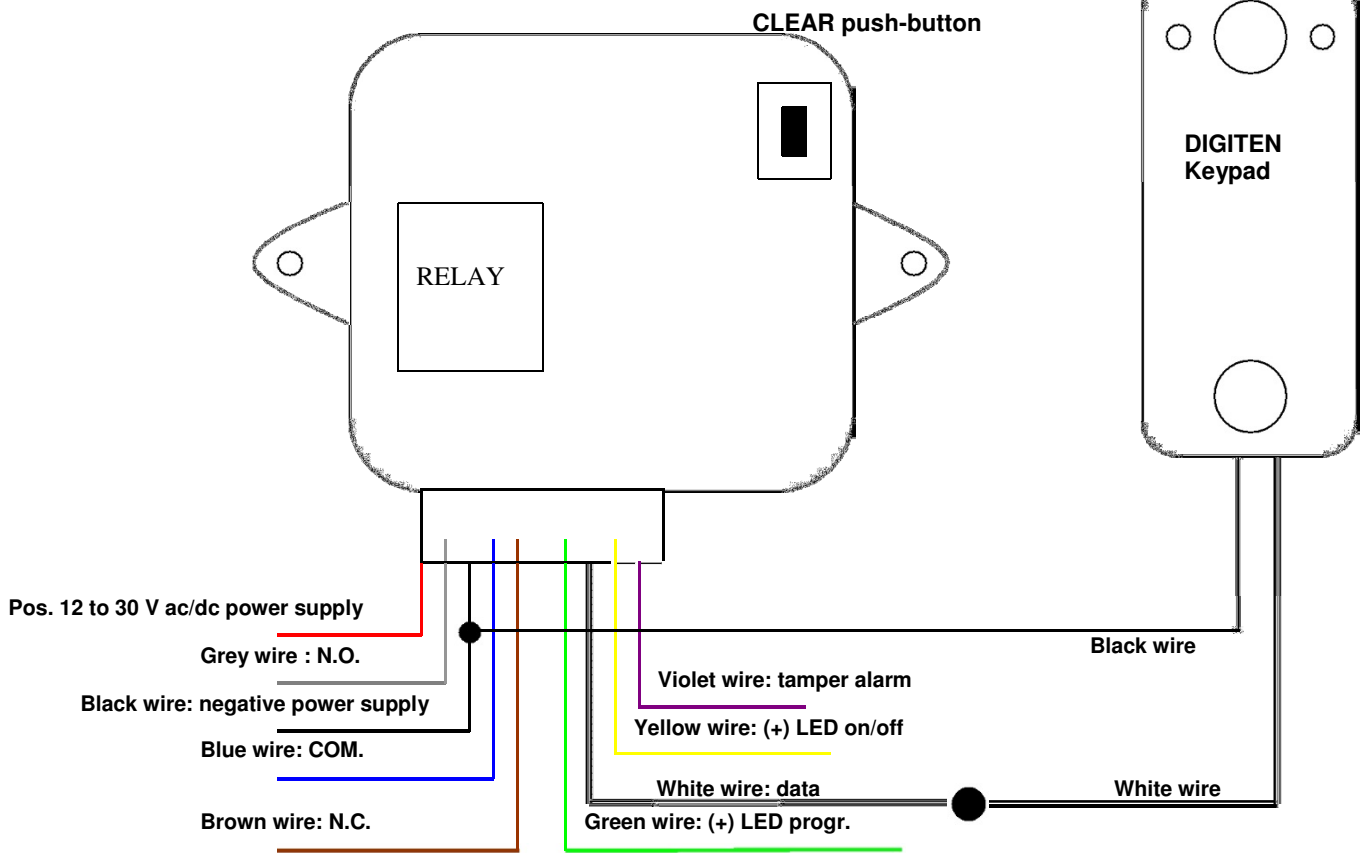
- To exit programme mode enter a code already stored.

Anyway, the control-box will exit programme mode automatically when the 60th code is stored (full memory) or when you shut down the power supply.

TAMPER alarm output – Violet wire. It activates (closes to negative) at the 4th attempt (during a period of 30 sec.) at tampering or after 8 sec. of continuous transmission .

To reset Tamper alarm, enter a valid code or wait for 30 sec.

Green LED of keypad is free for the user:
Green wire: connect to + 12 V cc
Black wire: connect to negative



Warranty

The product is warranted against defects in material and workmanship while used in normal service for a period of 1 year from the date of sale to the original client. The Guardall policy is one of continual development and improvement, therefore Guardall reserves the right to change specifications without notice