

**FIRE RATED**

**CABLE TRANSFER DL500**



[WWW.GUARDALL-LOCKS.COM.AU](http://WWW.GUARDALL-LOCKS.COM.AU)



Door Loops with lead covers are designed to ensure unbroken transfer of wires between door and frame in electric locking situations

**Standards:**

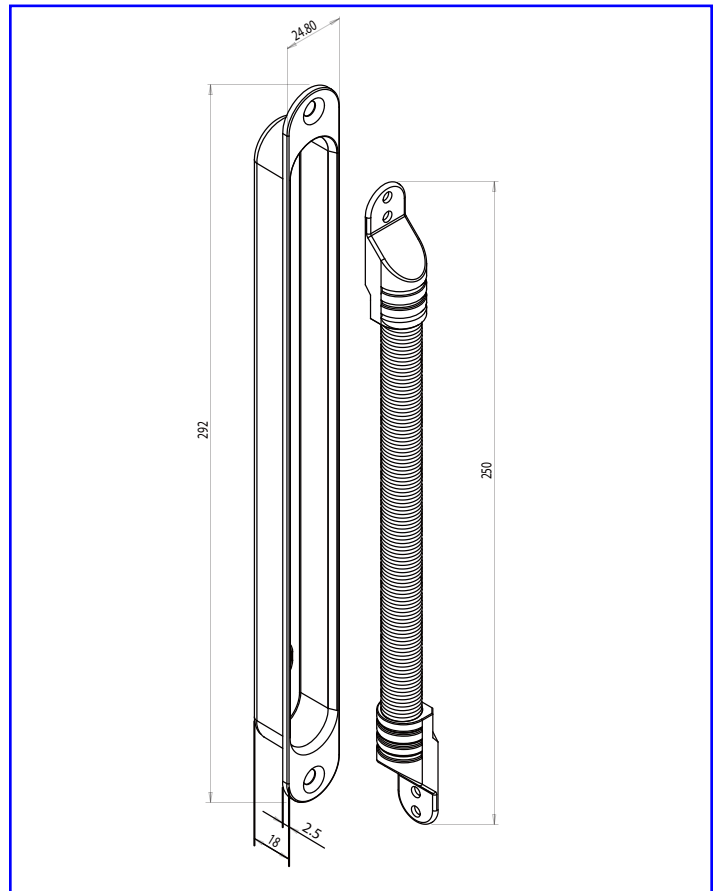
- RoHs Compliant

**Fire Rated:**

- CSIRO 4 hours – AS 1530.4-2005

**Specifications:**

- Cover - L292mm x W24.8mm x D18mm
- Spring - L250mm x I.D. 11mm (O.D.14mm)
- Net weight 0.3Kg



**Warranty**

The product is warranted against defects in material and workmanship while used in normal service for a period of 1 year from the date of sale to the original client. The Guardall policy is one of continual development and improvement, therefore Guardall reserves the right to change specifications without notice