

ELECTRONIC DROP BOLT EB180



WWW.GUARDALL-LOCKS.COM.AU



The EB180 is a lightweight dropbolt designed with a 25mm wide faceplate making installation possible on almost any width door frame.

Applications:

- Inswing doors
- Outswing doors
- Double action doors

Standards:

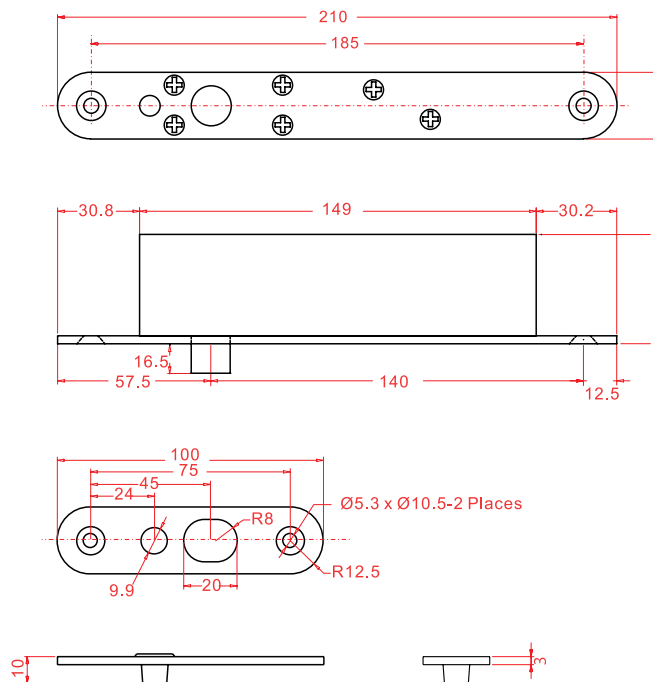
- RCM Mark
- RoHs Compliant
- CE Approved

Fire Rated:

- CSIRO 4 hours – AS 1530.4-2005

Specifications:

- Power Input: 12/24VDC (voltage tolerance: +10%)
- Fail Safe (Power to lock)
- Current draw: Pull in: 0.9A 12VDC, 0.4A 24VDC
- Current draw: Holding: 0.15A 12VDC, 0.1A 24VDC
- Operating temperature: -10 to 45°C
- Bolt status output (SPDT rated 3A/12VAC, 1.5/250VAC)
- Relocking time delay: 1, 3, 6, 9 seconds
- Lock surface temperature when powered +20°C
- Tested over 500000 cycles
- Faceplate material – Stainless Steel
- Net weight: 0.6kg
- Humidity: 0-95% Non-cond



4HR FIRE RATING (AS 1530.4-2005)

Warranty

The product is warranted against defects in material and workmanship while used in normal service for a period of 1 year from the date of sale to the original client. The Guardall policy is one of continual development and improvement, therefore Guardall reserves the right to change specifications without notice