

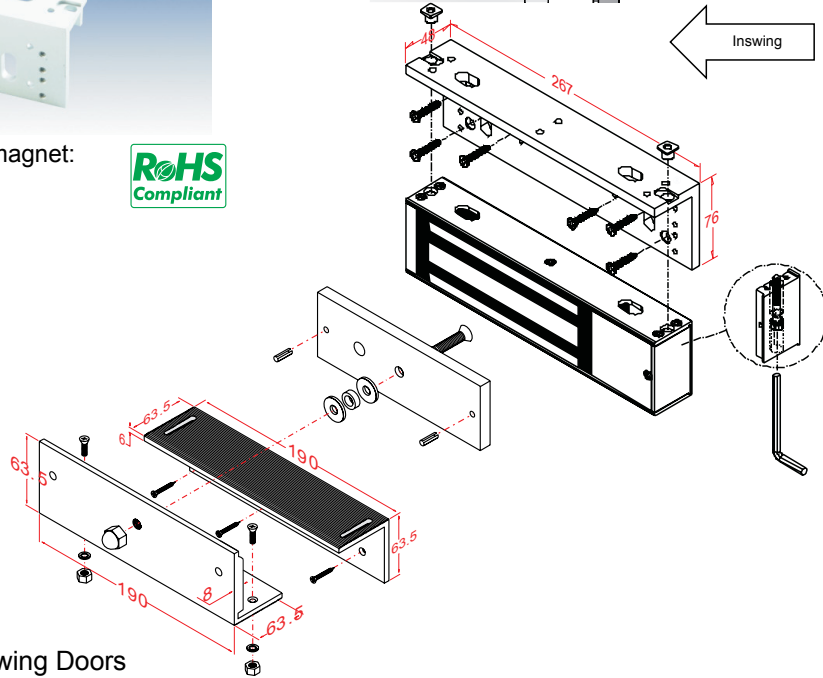
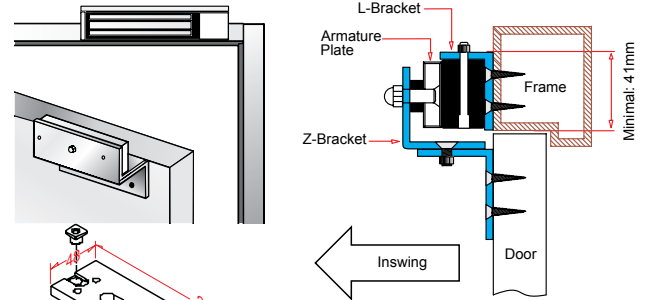
GEM1200 LZ BRACKET and INSTALLATION



WWW.GUARDALL-LOCKS.COM.AU

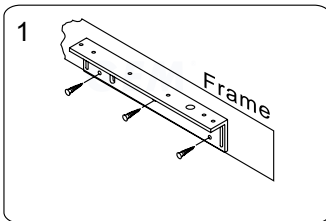


Application for the Electromagnet:
GEM-1200

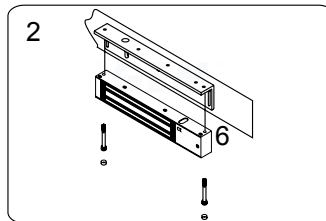


Unit: mm

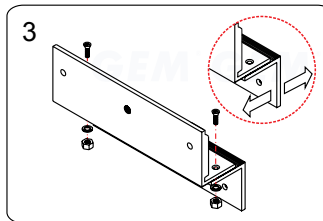
Installation of LZ bracket on Inswing Doors



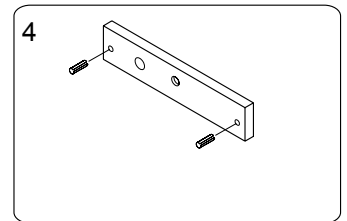
1 Install L bracket on the door frame. Make sure the door may be opened/closed.



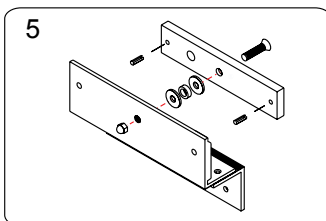
2 Fasten the electromagnet to L bracket with fixing screws.



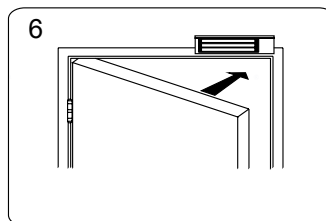
3 Assemble Z bracket. Make sure it is still loose.



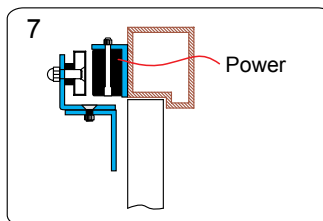
4 Insert the guide pins into the armature plate.



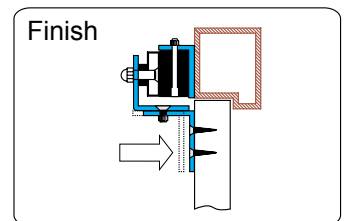
5 Fasten the armature plate to Z bracket. Insert the rubber washer between them



6 Close the door and turn on the power.



7 Let the armature plate and electromagnet bond together. Press Z bracket to the door leaf



Finish Fasten Z bracket to the door leaf.

Warranty

The product is warranted against defects in material and workmanship while used in normal service for a period of 1 year from the date of sale to the original client. The Guardall policy is one of continual development and improvement, therefore Guardall reserves the right to change specifications without notice

GUARDALL AUSTRALIA © All rights reserved.

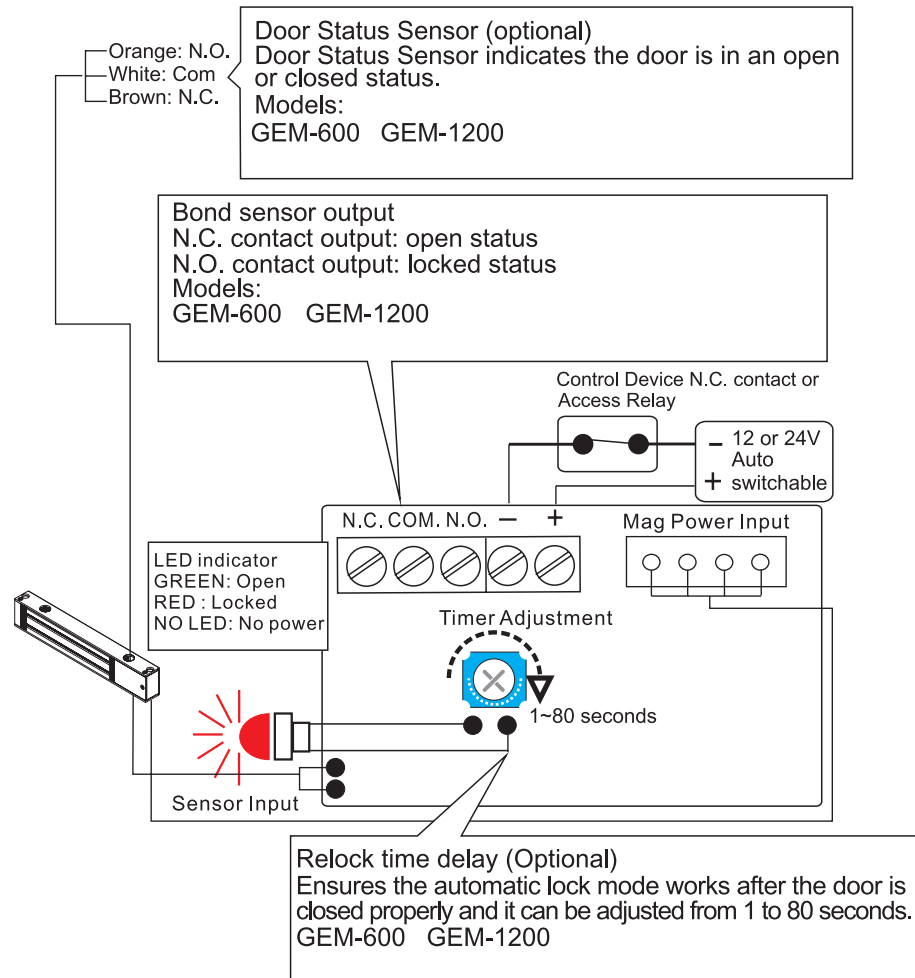
Sydney Tel: 02 97565959

Perth Tel: 08 92276969

GEM600/1200 WIRING DIAGRAM



WWW.GUARDALL-LOCKS.COM.AU



Trouble Shooting

Problem	Possible Cause	Solution
Door does not lock	No power	Make sure the wires are connected properly Check that the power supply is connected and works properly Make sure the lock switch is wired correctly (N.C.)
Low holding force	Poor contact between electromagnet and armature plate	Make sure if the armature plate is deformed Make sure if the rubber washer was used between magnet lock and armature plate Make sure the contact surfaces of the electromagnet and armature plate are clean and free from dust
	Low voltage or incorrect voltage setting	Ensure the electromagnet lock is set for the correct voltage. Check for proper voltage at the electromagnetic locks input. If low, determine if the correct wire gauge is being used to prevent excessive voltage drop.
Sensor output is not functioning	A secondary diode was installed across the electromagnetic lock	Remove any diode installed across the magnet for "spike" suppression. (The magnet is fitted with a metal oxide varistor to prevent back EMF)
	Misalignment between the armature plate and electromagnetic lock	Make sure the armature plate and electromagnetic lock are aligned correctly