

ELECTRIC STRIKE

GK700



WWW.GUARDALL-LOCKS.COM.AU

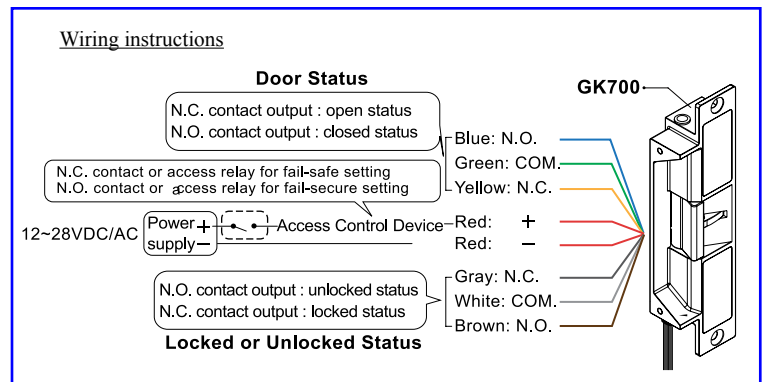
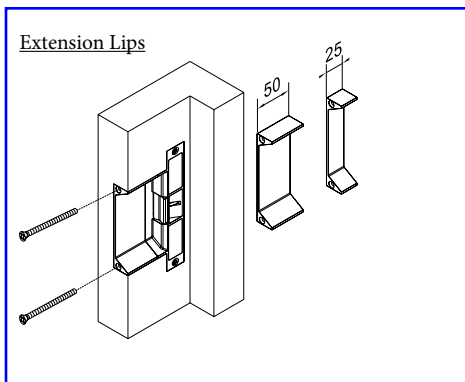


Features

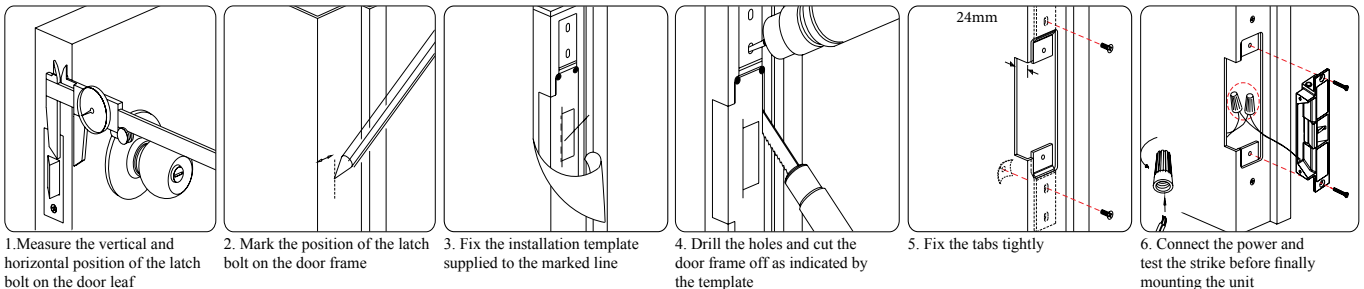
- 12 ~ 28 VAC/DC
- Lock and door status outputs
- Accepts 15mm latch throw
- Keeper width 39mm
- Compatible with LS-2200 mechanical lockset Fail-Safe or Fail-Secure

Specifications

- Operating Voltage: 12 ~ 28 DC/AC
- Current Draw: 230mA/12VDC : 140mA/28VDC (at 20°C)
- Operating Temperature: -10~45°C (14~113°F)
- Humidity: 0~95% non-condensing
- Jaw Strength: 680kg Static strength



Installation instructions



Warranty

The product has a limited warranty against defects in material and workmanship while used in normal service for a period of 5 years from the date of sale to the original client. The Guardall policy is one of continual development and improvement, therefore Guardall reserves the right to change specifications without notice