



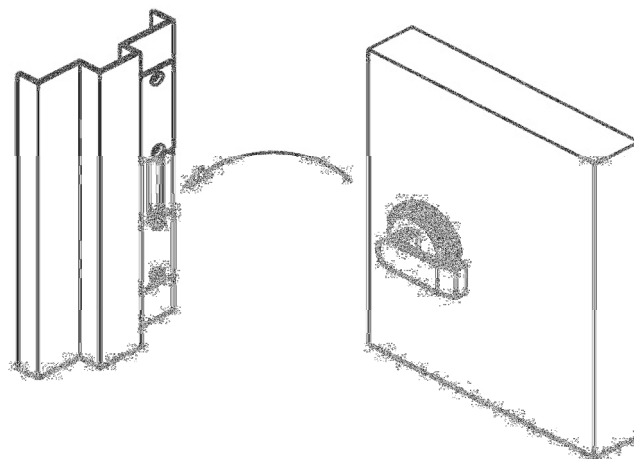
SST160 Electric Strike



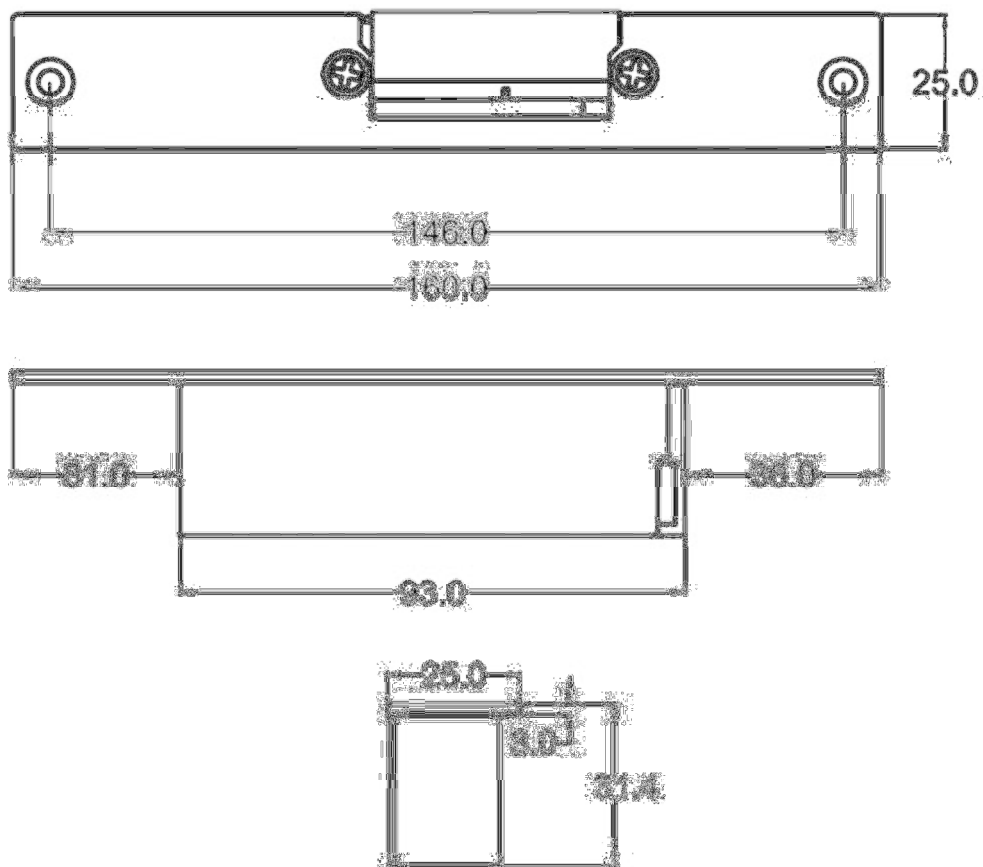
Specifications

- Dimensions: L160 x W25 x D31mm
- Voltage: 12VDC
- Current : 200mA
- Mode : Fail secure
- Options : Fail safe (SST160F), Pulse activated (SST160B)
- Stainless steel face plate 2mm
- Keeper depth : 9.6mm
- CE approved

Installation



Dimensions



Warranty

The product is warranted against defects in material and workmanship while used in normal service for a period of 1 year from the date of sale to the original client. The Guardall policy is one of continual development and improvement, therefore Guardall reserves the right to change specifications without notice