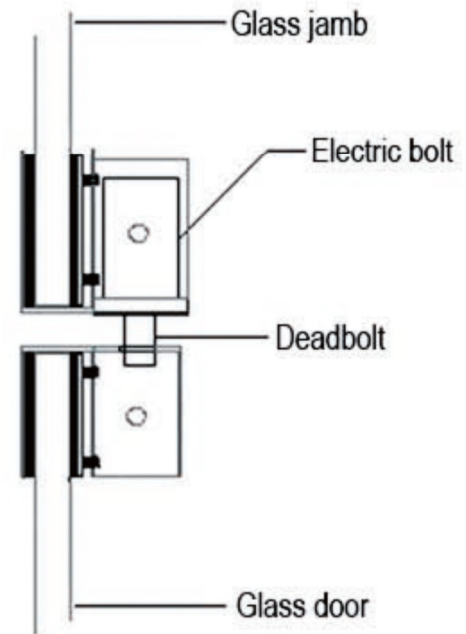




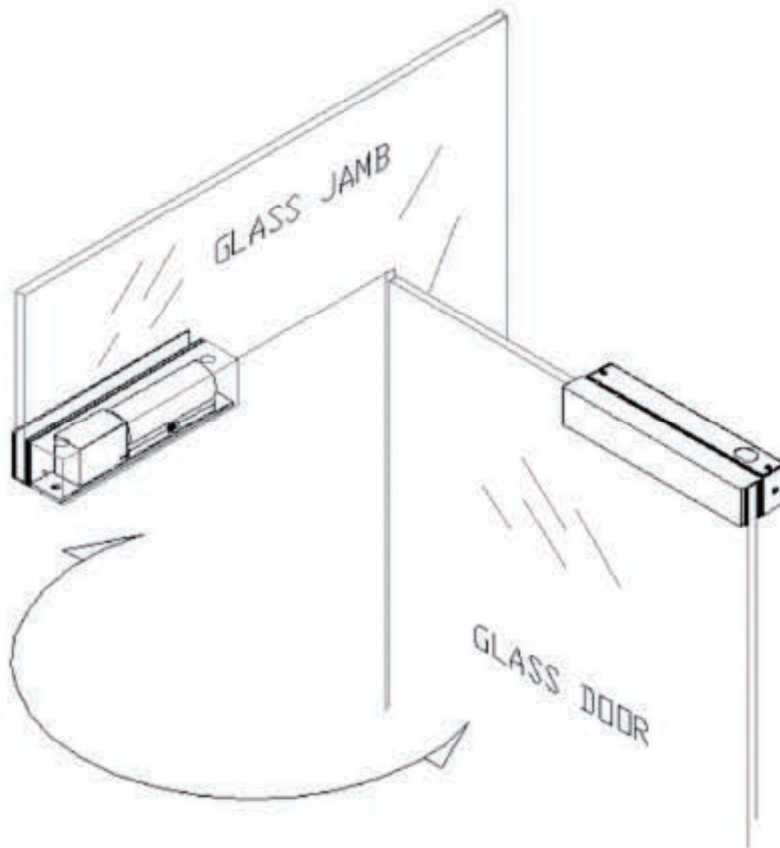
UG-200 U Bracket for Electric Bolt



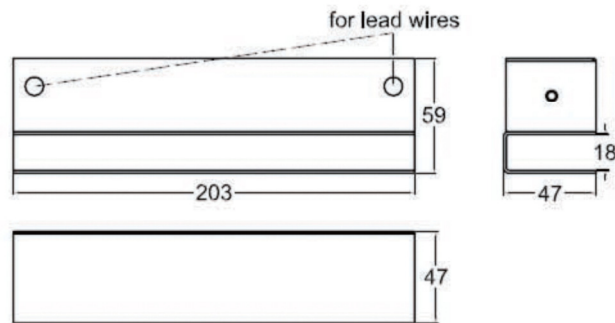
- Stainless steel construction
- Brushed finish
- Glass door bracket for use with ML200SLD drop bolt
- Suitable for all glass door
- Using socket set screws to suit 9-15mm thick glass door
- Dimension: L203 x W59 x D47mm

Warranty

The product is warranted against defects in material and workmanship while used in normal service for a period of 1 year from the date of sale to the original client. The Guardall policy is one of continual development and improvement, therefore Guardall reserves the right to change specifications without notice



- For bolt body - 203Lx59Wx47D mm



- For strike plate - 203Lx59Wx47D mm

