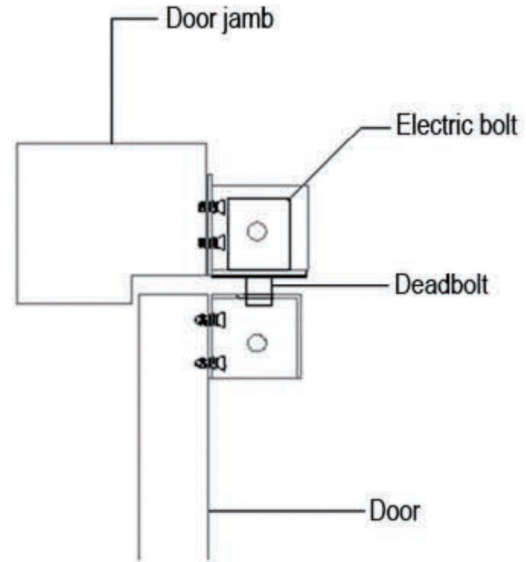




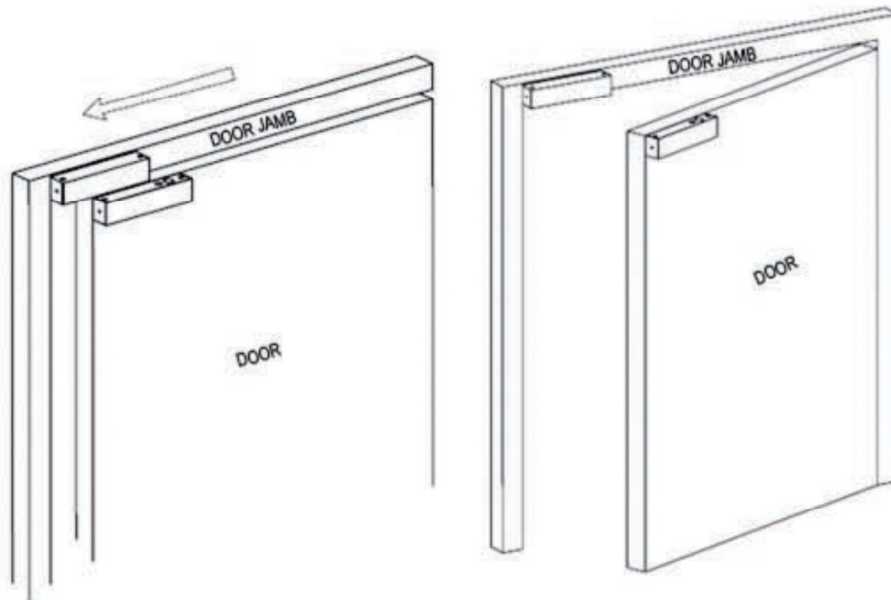
UG-202 Surface Mount Bracket for Electric Bolt



- Stainless steel construction
- Brushed finish
- Door bracket for use with ML200SLD drop bolt
- Suitable for surface mounted installation
- Applicable for sliding door and inswing door
- Dimension: L203 x W38 x D47mm

Warranty

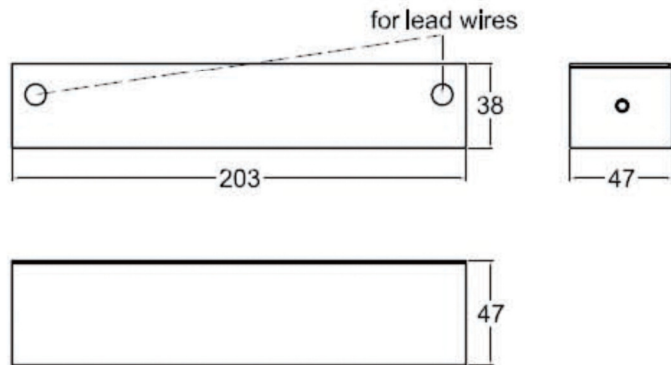
The product is warranted against defects in material and workmanship while used in normal service for a period of 1 year from the date of sale to the original client. The Guardall policy is one of continual development and improvement, therefore Guardall reserves the right to change specifications without notice



SLIDING DOOR

INSWING DOOR

- For bolt body - 203Lx38Wx47D mm



- For strike plate - 203Lx38Wx47D mm

